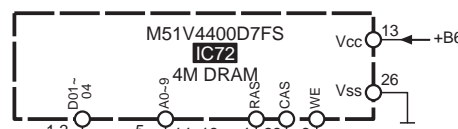
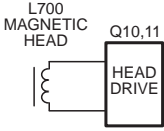
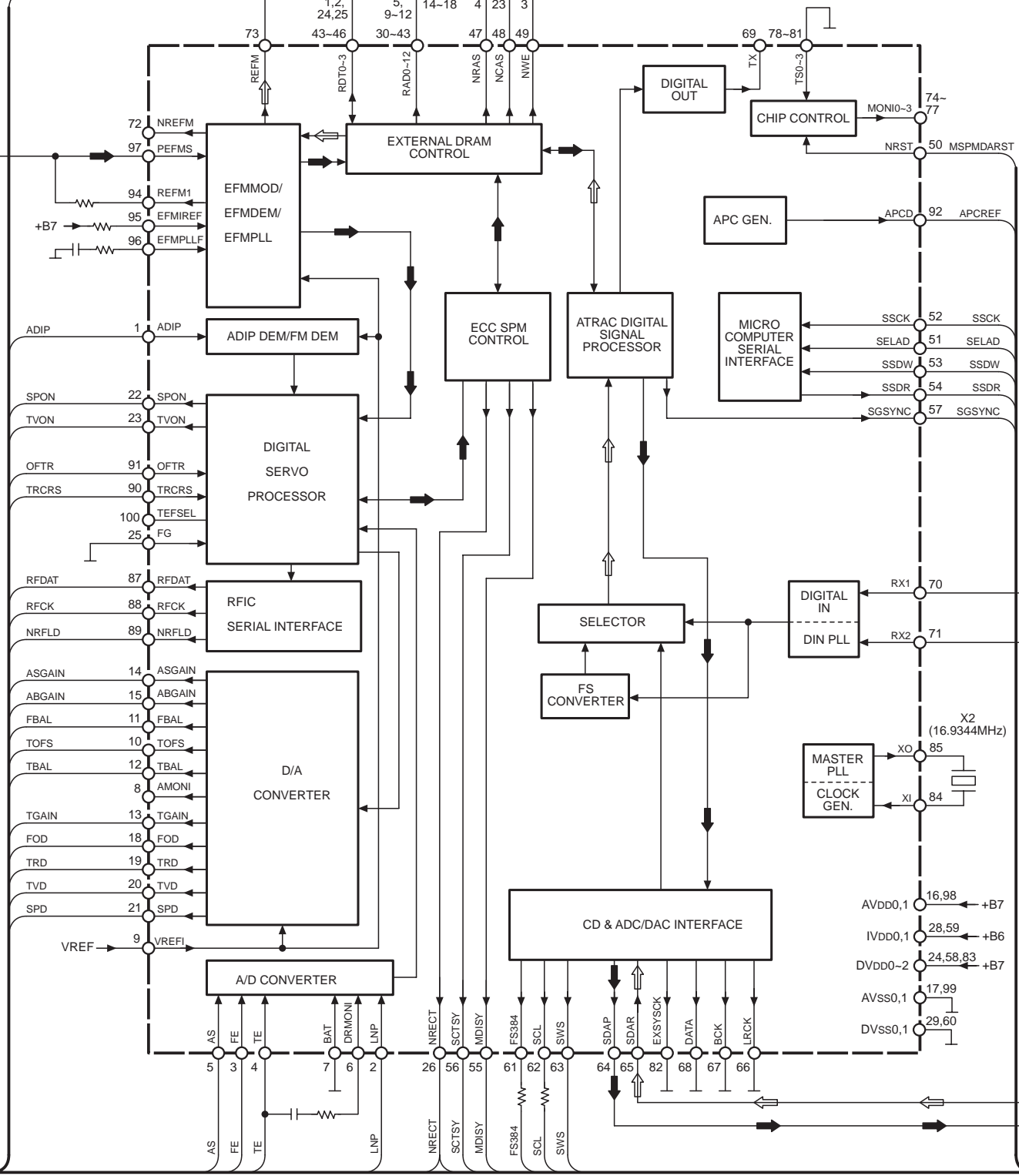


AN8814SB-E1
IC2
FOCUS/TRACKING COIL, SPINDLE/TRAVERSE MOTOR DRIVE



NEFMON

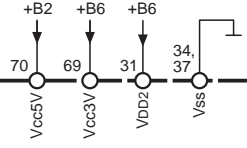
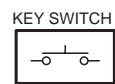
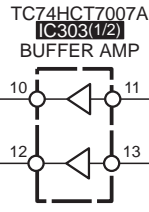
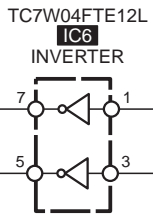
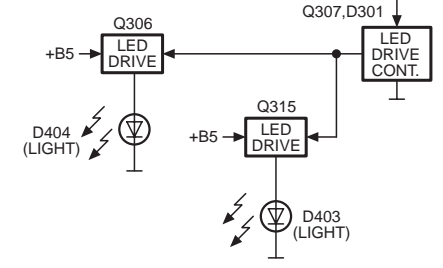
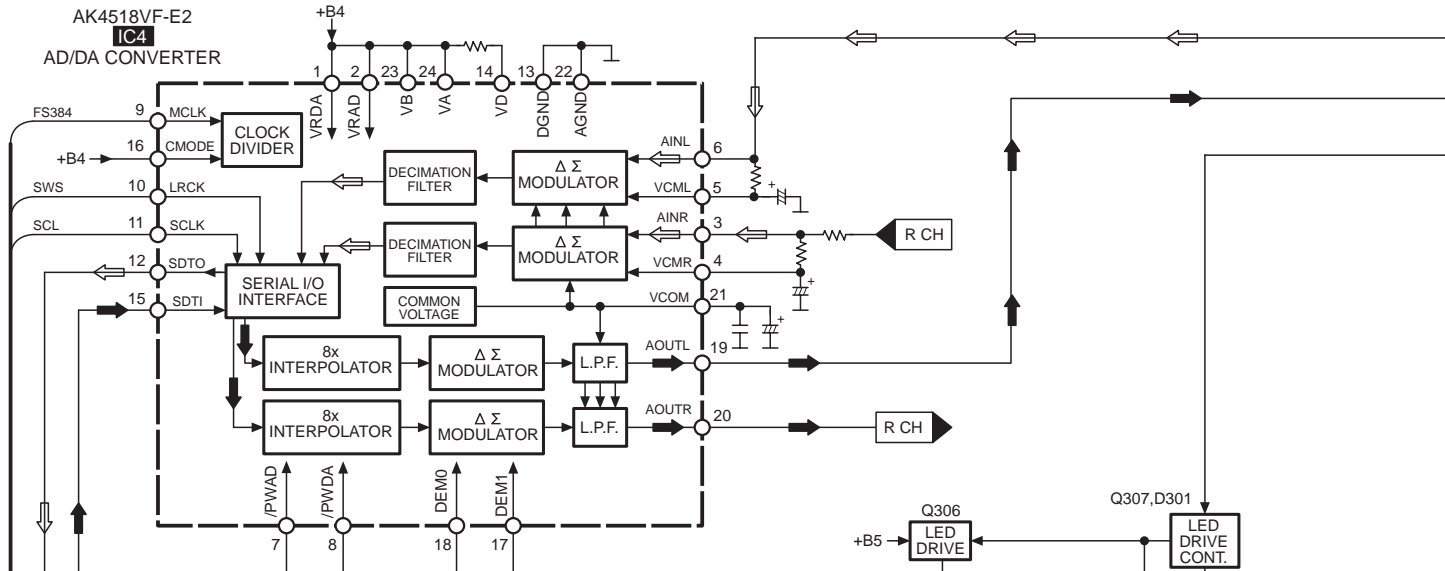


+B7

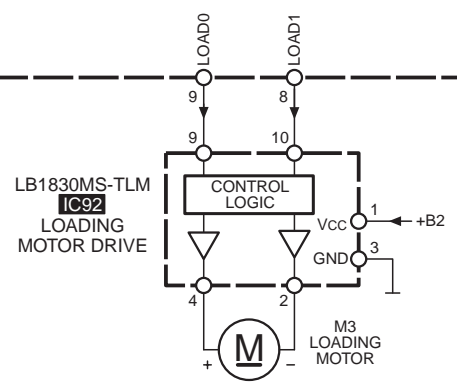
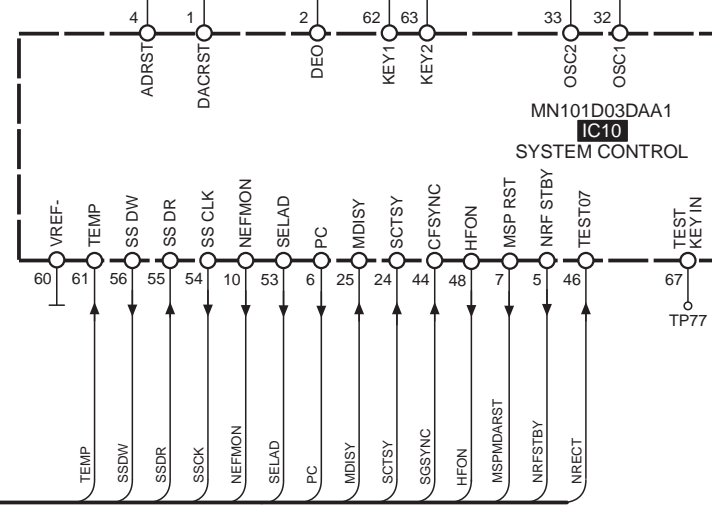
X2 (16.9344MHz)

AVDD0,1 16,98 +B7
IVDD0,1 28,59 +B6
DVDD0-2 24,58,83 +B7
AVSS0,1 17,99
DVSS0,1 29,60

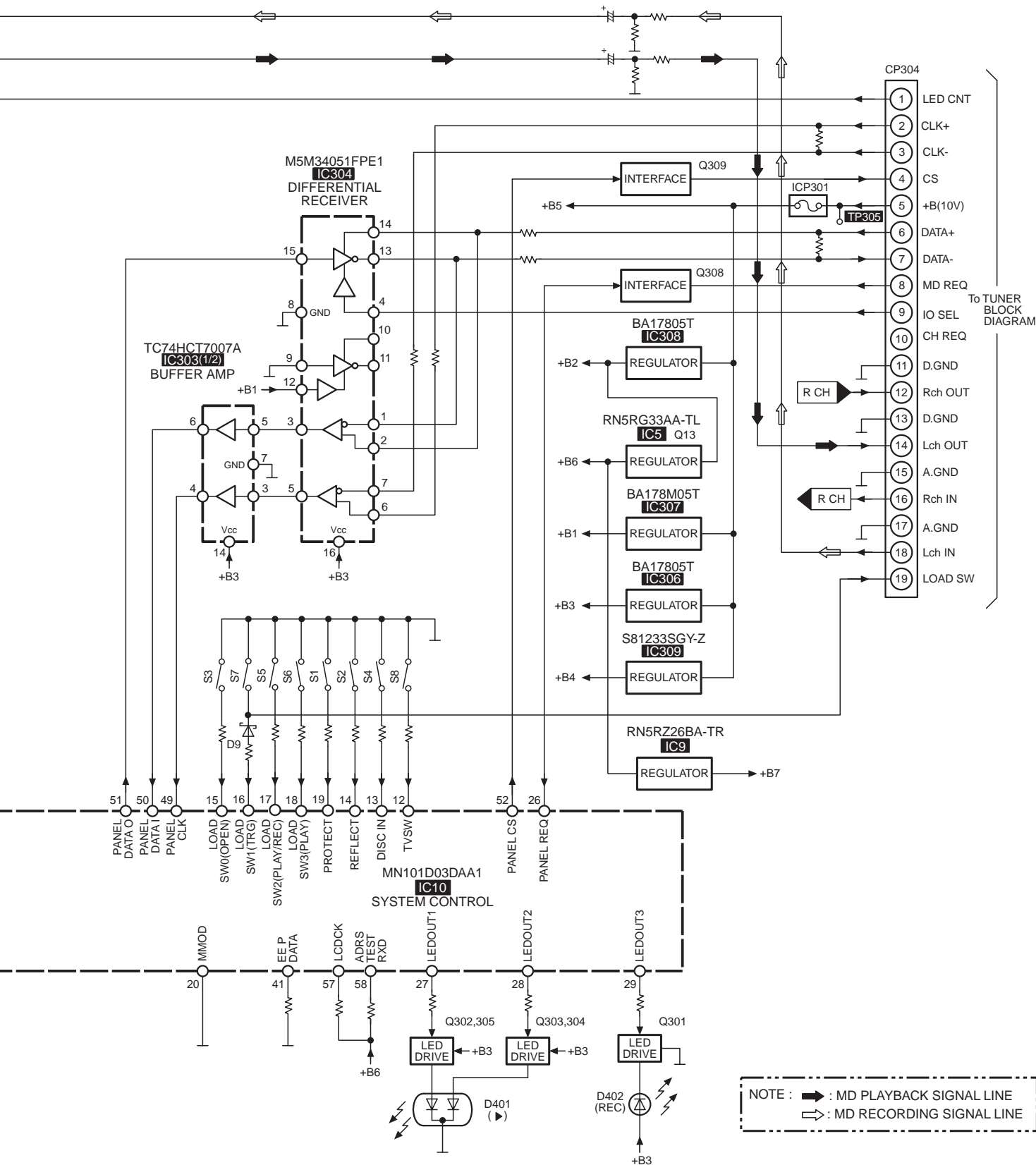
AK4518VF-E2
IC4
AD/DA CONVERTER



MN101D03DAA1
IC10
SYSTEM CONTROL



M3
LOADING
MOTOR



To TUNER BLOCK DIAGRAM

NOTE : ➡ : MD PLAYBACK SIGNAL LINE
 ⇨ : MD RECORDING SIGNAL LINE